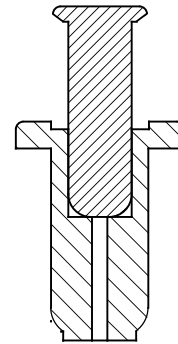
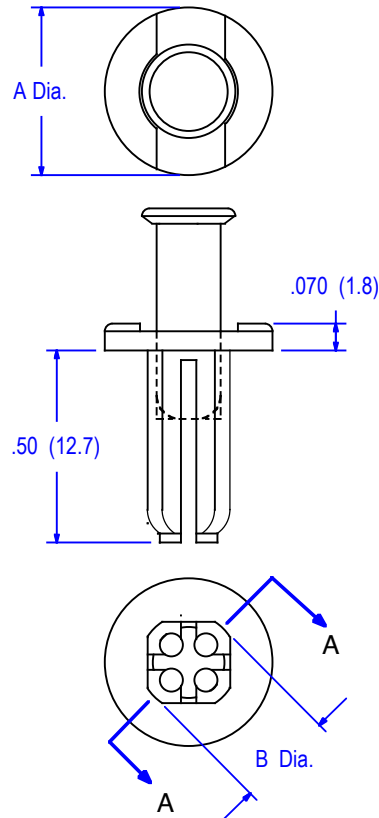


06-19 Series



ITEM NO	A Dia		B Dia		Hole Dia		Panel Thickness	
	in.	mm	in.	mm	in.	mm	in.	mm
06-19-10 06-19-20	.381	9.7	.185	4.7	.188	4.78	.062 .125	1.57 3.18
06-19-1-20 06-19-1-30 06-19-1-80	.437	11.1	.248	6.33	.250	6.35	.125 .187 .062	3.18 4.78 1.57

PACKAGING : 1000 PER BAG

MATERIAL	NYLON 66
UL RATING	94V-2
UL FILE NO.	E41938
COLOR	NATURALOR BLACK
RoHS COMPLIANCE	YES
TEMPERATURE RANGE (REF.)	-40 to 185°F (-40 to 85°C)
MR NUMBER	12

					BY	DATE	Title	
							Rivets, Removable	
							Part No.	Issue
							06-19 sries	0
							DIMS. Inches (mm) Tolerance (unless noted) .xx = ±.010 .xxx = .005	
							Drwg. type	5-06-19
							Catalog	
No	Revision	Date	Init.		ALL ELECTRONICS HARDWARE INC. 2642 CORPORATE PARKWAY ALGONQUIN, ILLINOIS . 60102 1-800-778-7234		File No.	06-19 series